

# Flow Control

When Flow and Speed are all that matter

## MAXI-FLOW WRAP ACCESSORIES

Originally designed exclusively for use with **Flow Control Air Cleaners**, these wraps not only control heat, but actually assist the air cleaner in maximizing the flow of air into your engine. Available for every make and model of **Flow Control Air Cleaners**.

### INSTRUCTIONS:

As indicated on the exploded view illustrated, the Maxi-Wrap attaches to the base of the Air Cleaner as shown. The Maxi-Wrap slides under the base, and the groove on the wrap aligns with the notch on the base. As shown, drill 6 holes, and with the supplied rivets and back-up washers, rivet the wrap to the base.

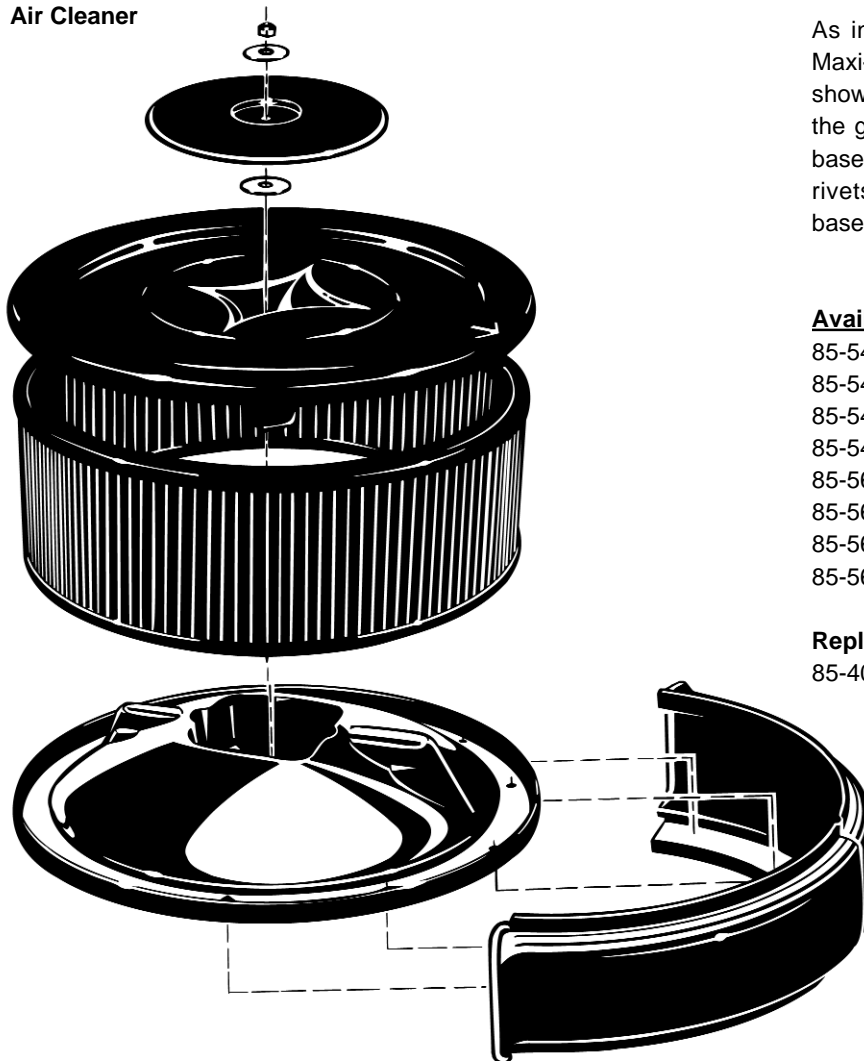
#### Available models are as follows:

- 85-54400 - 14"od x 4"h, 2 & 4 barrel
- 85-54450 - 14"od x 4.5"h, 2 & 4 barrel
- 85-54401 - 14"od x 4"h, restricted 1"
- 85-54451 - 14"od x 4.5"h, restricted 1"
- 85-56350 - 16"od x 3.5"h, 4 barrel
- 85-56400 - 16"od x 4"h, 4 barrel
- 85-56351 - 16"od x 3.5"h, restricted 1"
- 85-56401 - 16"od x 4"h, restricted 1"

#### **Replacement Rivet Kit:**

- 85-400000 - Maxi-flow replacement rivet kit.

Air Cleaner



Maxi-Flow Wrap

61-4000 & 85-54400  
are shown