

PLEASE READ THE INSTRUCTIONS BEFORE FITTING THE KIT
If you have a problem, however small, call our Technical Department.
Tel:- 01925 636950. Fax:- 01925 243111. Mon - Thurs 8.30 - 5pm.

- 1 Remove the original air box assembly, including the mass air sensor (**MAS**).
- 2 **Cold air system**
Remove the radiator top hose and cut out the section of plastic from the radiator surround, allowing time for the water to cool beforehand. **Drawing A.**
- 3 **Carefully** expand the flexi cold air hose to approximately 38cm/15". Feed one end through the new hole and position just behind the grille. Using a plastic tie attach the front of the hose to the hole in the front of the slam panel, and the rear of the hose to a hole in the rear of the slam panel. **Drawings B & C.**
- 4 Making sure that the flexi cold air hose is clear of the drive belt, position the end to finish approximately 10cm/4" from the air filter (**no nearer**).
- 5 Remove the **MAS** from the air box lid and the rubber surround.
- 6 Attach the metal tube to the small end of the **MAS** using the rubber sleeve and hose clips.
- 7 Fit the bracket to the **MAS** using the original screw with nut and spring washer supplied. **Drawing E.**
- 8 Remove the section of radiator surround shown. **Drawing D.**
- 9 Fit the bobbin to the original mounting, but **don't fit to bracket yet.** **Drawing E**
- 10 Feed the metal tube into the engine intake hose and at the same time fit the bracket to the bobbin using the nut and washer supplied. **Drawing E**
- 11 Mount the filter onto the **MAS** and adjust until the K&N logo is straight before tightening the clip. Tighten the clip until the filter just moves, then give one full turn (360 degrees). No more. **Don't overtighten the clip.**
- 12 **Tuning**
No adjustments are required.
- 13 **Filter maintenance**
Under normal conditions clean and reoil the filter at approx. 40,000 miles / 65,000 km. **Use only K&N cleaner and oil** and follow the instructions carefully.

K&N filters are pre oiled ready to fit.

The advantages of K&N's cold air intake system

Cooler air, being denser, will show positive improvements in power over filter systems that draw hot air from the engine bay.

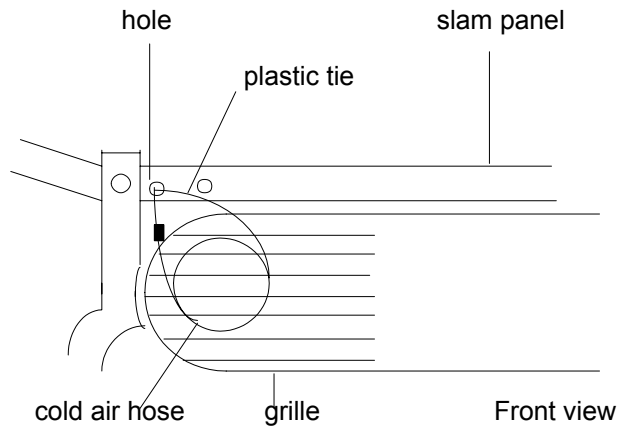
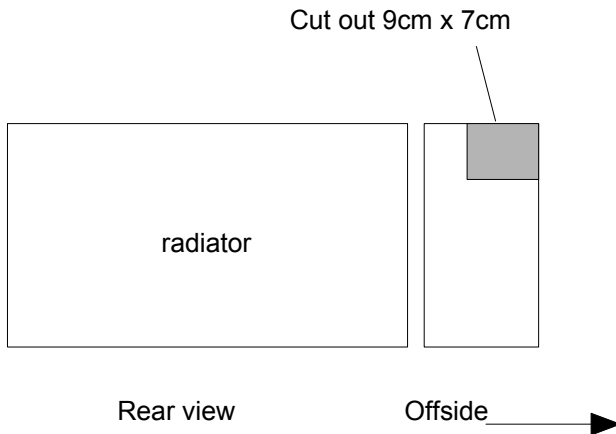
This Kit Should Contain :-

- 1 x Air filter
- 1 x Metal tube.
- 1 x Cold air hose assembly.
- 1 x Rubber sleeve.
- 1 x Instruction sheet.
- 1 x Instruction pack:-
 - 1 x Filter maintenance sheet.
 - 1 x K&N window sticker.
 - 1 x Million mile warranty card.
 - 1 x Leaflet
- 1 x Fixing kit containing :-
 - 1 x Rubber mounting.
 - 2 x Hose Clip Size 48.
 - 1 x Bracket.
 - 1 x Metal washer.
 - 2 x $\frac{5}{16}$ UNF nuts.
 - 2 x $\frac{5}{16}$ Spring washers.
 - 2 x Plastic Cable ties (14" long).
 - 1 x 5mm hex nut.
 - 1 x 5mm Spring Washer.
 - 1 x Hose Clip size 60

FITTING YOUR OWN 57i KIT

If not, **it is essential** that the person fitting the kit (e.g. mechanic) **carefully follows these particular instructions** even if he has fitted K&N kits before. This will save you both time and money. Kits incorrectly fitted may show a loss in performance e.g. the positioning of the essential cold air hose, (flexi expandable and rubber hoses are used).

A final check under the bonnet, by yourself, with the instructions, would seem sensible.



Front

TOP VIEW

