

TYPHOON INTAKE SYSTEMS



Warning: Please follow these installation instructions carefully. The K&N Drycharger included in this kit must be installed on the K&N air filter when used with a K&N Typhoon Cold Air Intake System. The K&N Typhoon Intake System is a performance product that can be used safely during mild weather conditions. During hard and inclement weather conditions, you must convert your Cold Air Intake System into a short ram configuration, or return your vehicle to the stock OEM airbox and intake tract configuration. Failure to follow these instructions can void your warranty.

INSTALLATION INSTRUCTIONS

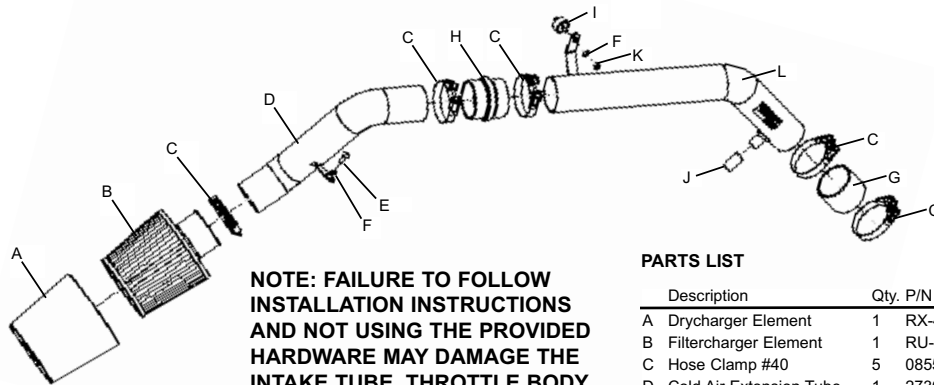
69-1502

Honda

Civic, 1991-1995
1.5L L4 16v, 90 PS

Tools Needed:

Flat Blade Screwdriver
Phillips Head Screwdriver
Ratchet
10mm Socket
Socket Extension
4mm Allen Wrench
Pair of Pliers
Lifting Jack
Pair of Axle Stands



NOTE: FAILURE TO FOLLOW INSTALLATION INSTRUCTIONS AND NOT USING THE PROVIDED HARDWARE MAY DAMAGE THE INTAKE TUBE, THROTTLE BODY AND ENGINE.

PARTS LIST

Description	Qty.	P/N
A Drycharger Element	1	RX-4990DK
B Filtercharger Element	1	RU-4950
C Hose Clamp #40	5	08554
D Cold Air Extension Tube	1	27305
E Bolt; M6 Buttonhead, SS	1	07730
F Wave Washer, 6mm, SS	2	08277
G Hose, 2-1/2"ID, str, Blk	1	08284
H Hose; 2-1/2"ID Hump, Blk	1	084018
I Vibration Mount, M6	1	07027
J Hose, 10mm ID x 1-1/4"L	1	084048
K Nut, M6, Nylock, SS	1	07512
L Throttle Body Tube	1	27304

TO START:

1. Turn the ignition OFF and disconnect the vehicle's negative battery cable.



2. Unclip and remove the intake hose from the throttle body housing.



3. Unclip and remove the breather hose from the intake hose as shown.



4. Carefully remove the intake snorkel from the vehicle as shown.



5. Unbolt the three bolts and remove the complete air box assembly from the vehicle.

6. As per manufacturer's instructions and taking all necessary safety precautions, carefully raise the front of the vehicle and support it with a pair of axle stands.



7. From underneath the vehicle, carefully remove the splash guard.



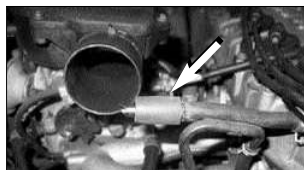
8. Unscrew and remove the right inner fender well.



9. Unscrew the three bolts and remove the resonator box from the vehicle.



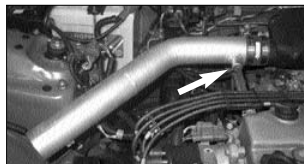
10. Screw the vibration mount supplied into the air box mounting point as shown.



11. Fit the rubber hose supplied onto the breather pipe as shown.



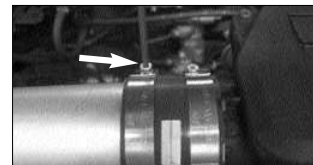
12. Fit the silicone hose to the throttle body housing using the #40 hose clamp supplied.



13. Position the one bend long intake tube into the silicone sleeve and insert the breather pipe/rubber hose from step 11 into the vent on the tube.



14. Align the welded on bracket to the vibration mount for best overall fit and clearance and secure using the M6 nylock nut and wave washer supplied.



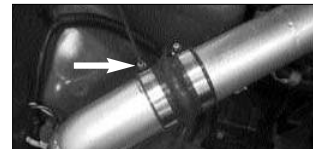
15. Tighten the #40 hose clamp that secures the silicone sleeve to the intake tube as shown.



16. Fit the silicone hump hose to the intake tube using the #40 hose clamp supplied. Make sure the tube is inserted about 1 7/2.5 cm into the hose.

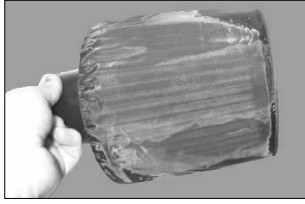


17. Fit the two bend short intake tube into the hump hose. Align its welded on bracket with the threaded air box mounting hole in the chassis leg and secure it with the M6 bolt and wave washer supplied as shown.



18. Tighten the #40 hose clamp that clamps the hump hose to the short bend intake tube.

Continued on reverse side!



19. Install the K&N Drycharger onto the K&N Filtercharger as shown.

NOTE: The Drycharger's water repellant properties will last up to two years. See parts list to re-order Drycharger if necessary.



20. Fit the filter to the intake tube and secure the hose clamp supplied.

21. Re-install the splash guard and inner fender well removed in steps 7 and 8, using the original mounting hardware.

22. Reconnect the vehicle's negative battery cable.



23. Double check to make sure everything is tight and properly positioned before starting the vehicle; installation is now complete.



24. This K&N Typhoon intake kit has been designed to be used in two different configurations. In the case of inclement weather, the cold air tube can be removed and the filter can be clamped onto the first intake tube located in the engine compartment to avoid the possibility of ingesting water into the engine.

25. It will be necessary for all Typhoons to be checked periodically for realignment, clearance and tightening of all connections. Failure to follow the above instructions or proper maintenance may void warranty.

ROAD TESTING:

1. Start the engine with the transmission in neutral or park, and the parking brake engaged. Listen for air leaks or odd noises. For air leaks secure hoses and connections. For odd noises, find cause and repair before proceeding. This kit will function identically to the factory system except for being louder and much more responsive.

2. Test drive the vehicle. Listen for odd noises or rattles and fix as necessary.

3. If road test is fine, you can now enjoy the added power and performance from your kit.

4. K&N suggests checking the Filtercharger element periodically for excessive dirt build-up. When the element becomes covered in dirt (or once a year), service it according to the instructions on the Recharger service kit available from your K&N dealer, part number 99-5003EU.

